

# MT1843-NL

## COLD WATER FAUCET WITH CONTEMPORARY ROUND BODY & HANDLE

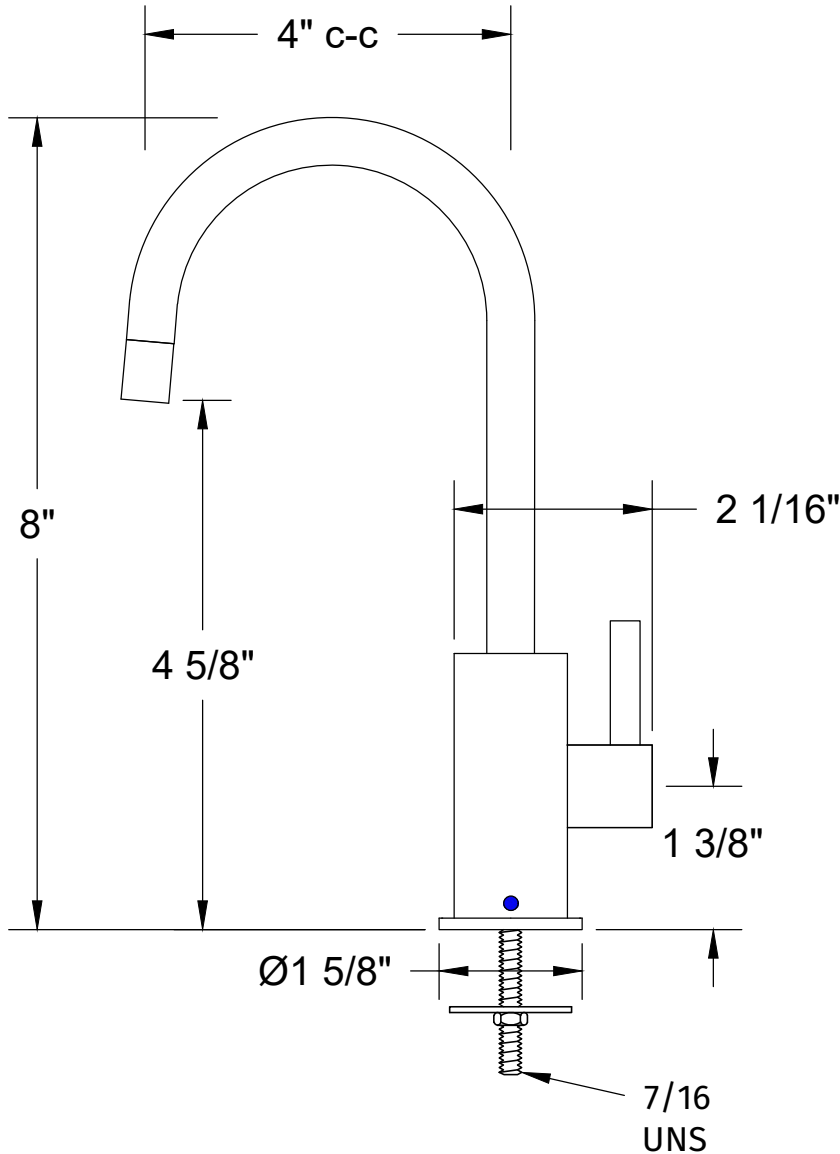
### SPECIFICATION SHEET



A McAlpine Company

# Mountain

Plumbing Products



- Ø1/2" TO Ø1 3/8" MOUNTING HOLE REQUIRED
- WILL FIT DECK UP TO 2 1/4" THICK
- 1/4 TURN CERAMIC CARTRIDGE
- REVERSE OSMOSIS SAFE (OPTIONAL AIR GAP AG600S / AG1400 SOLD SEPARATELY)
- INCLUDES CONNECTION HARDWARE TO CONNECT TO 1/4" TUBING (TUBING NOT INCLUDED)
- COMPATIBLE WITH MT1250XL, MT660, AND MT662-2 FILTRATION SYSTEMS (SOLD SEPARATELY)
- ALSO COMPATIBLE WITH MT670-2 WATER CHILLER (SOLD SEPARATELY)
- NOT TO BE USED WITH LITTLE GOURMET<sup>2</sup> HOT TANK (MT641-3)

#### WARRANTY

FOR WARRANTY INFO PLEASE VISIT [WWW.MOUNTAINPLUMBING.COM/PAGE/RESOURCES/WARRANTY](http://WWW.MOUNTAINPLUMBING.COM/PAGE/RESOURCES/WARRANTY)

#### FINISH CARE & MAINTENANCE

NEVER USE ANY HARSH ALKALI, ACID BASED DETERGENTS OR CLEANERS SUCH AS SOFT SCRUB<sup>®</sup>, SCRUBBING BUBBLES<sup>®</sup> OR COMET<sup>®</sup> TO CLEAN. DO NOT USE BRILLO<sup>®</sup> AND SCOTCH BRITE<sup>®</sup> PADS. THESE WILL ALL HARM THE FINISH. TO CLEAN, USE ONLY A DAMP SOFT CLOTH AND WIPE USING A SOFT CLOTH. STANDARD WINDEX<sup>®</sup> CAN ALSO BE USED SPARINGLY. IT IS NOT NECESSARY TO WIPE HARD TO REMOVE SPOTS. TO MAINTAIN THE FINISH, WIPE WITH A SOFT DRY CLOTH AFTER USE. AN OCCASIONAL COAT OF PURE CARNAUBA WAX WITHOUT CLEANERS WILL HELP PROTECT THE FINISH.

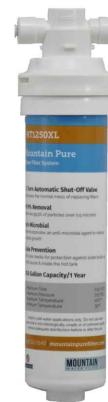
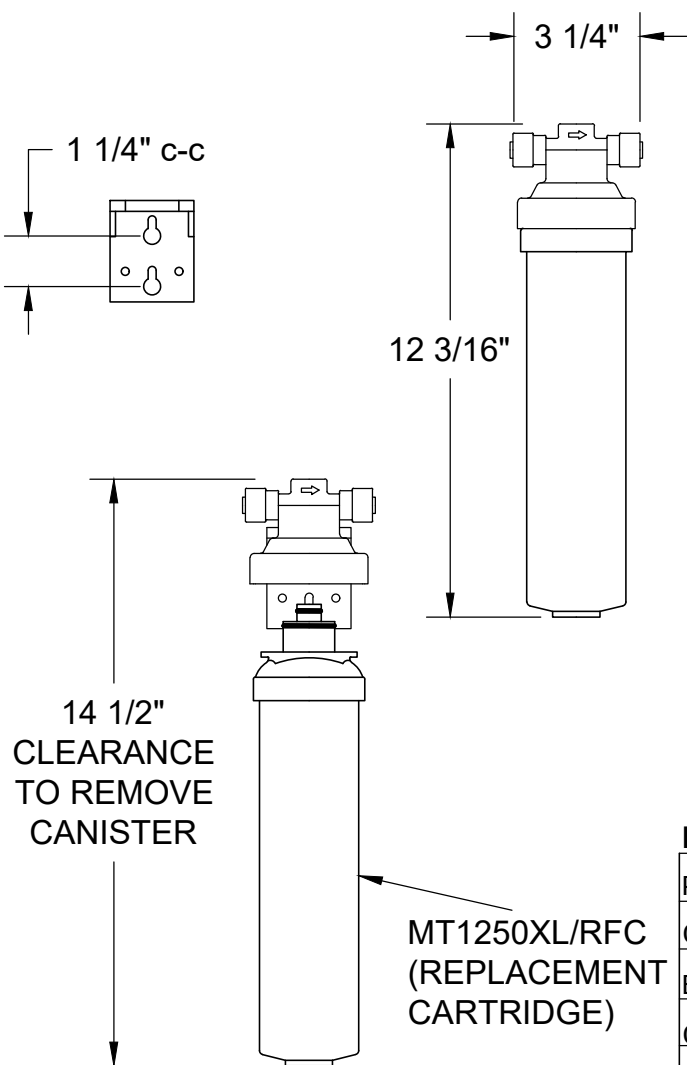
SPECIFICATIONS SUBJECT TO CHANGE WITHOUT NOTICE

# MT1250XL

## MOUNTAIN PURE<sup>®</sup> CARBON FILTRATION SYSTEM



### SPECIFICATION SHEET



- 1/4 TURN AUTOMATIC SHUTOFF VALVE
- UTILIZES POWDERED ACTIVATED CARBON AND LEAD ABSORBENT MEDIA
- ANTI-MICROBIAL AGENT INCORPORATED TO REDUCE BACTERIA
- ANTI-SCALE MEDIA TO PROTECT AGAINST SCALE BUILD UP IN FAUCET AND HOT TANK (SOLD SEPARATELY)
- 1250 GALLON CAPACITY (APPROX. ONE YEAR BASED ON AVERAGE USAGE)
- OPERATED WITHOUT WASTING WATER LIKE R.O. SYSTEMS
- 5 FEET OF 1/4" TUBING INCLUDED

#### IMPURITIES REMOVED:

PREVENTS SCALE	ASBESTOS FIBERS
CHLORINE	OXIDIZED IRON
BAD TASTE/ODORS	99.9% OF PARTICLES >.5 MICRONS
CHLORAMINES	LEAD
DIRT AND DUST	TRIHALOMETHANES
GIARDIA LAMBIA CYSTS	VOLATILE ORGANIC CHEMICALS
CRYPTOSPORIDIUM CYSTS	TURBIDITY
MOLDS AND ALGAE	PATHOGENIC BACTERIA

#### WARRANTY

FOR WARRANTY INFO PLEASE VISIT [WWW.MOUNTAINPLUMBING.COM/PAGE/RESOURCES/WARRANTY](http://WWW.MOUNTAINPLUMBING.COM/PAGE/RESOURCES/WARRANTY)

#### FINISH CARE & MAINTENANCE

NEVER USE ANY HARSH ALKALI, ACID BASED DETERGENTS OR CLEANERS SUCH AS SOFT SCRUB<sup>®</sup>, SCRUBBING BUBBLES<sup>®</sup> OR COMET<sup>®</sup> TO CLEAN. DO NOT USE BRILLO<sup>®</sup> AND SCOTCH BRITE<sup>®</sup> PADS. THESE WILL ALL HARM THE FINISH. TO CLEAN, USE ONLY A DAMP SOFT CLOTH AND WIPE USING A SOFT CLOTH. STANDARD WINDEX<sup>®</sup> CAN ALSO BE USED SPARINGLY. IT IS NOT NECESSARY TO WIPE HARD TO REMOVE SPOTS. TO MAINTAIN THE FINISH, WIPE WITH A SOFT DRY CLOTH AFTER USE. AN OCCASIONAL COAT OF PURE CARNAUBA WAX WITHOUT CLEANERS WILL HELP PROTECT THE FINISH.

SPECIFICATIONS SUBJECT TO CHANGE WITHOUT NOTICE